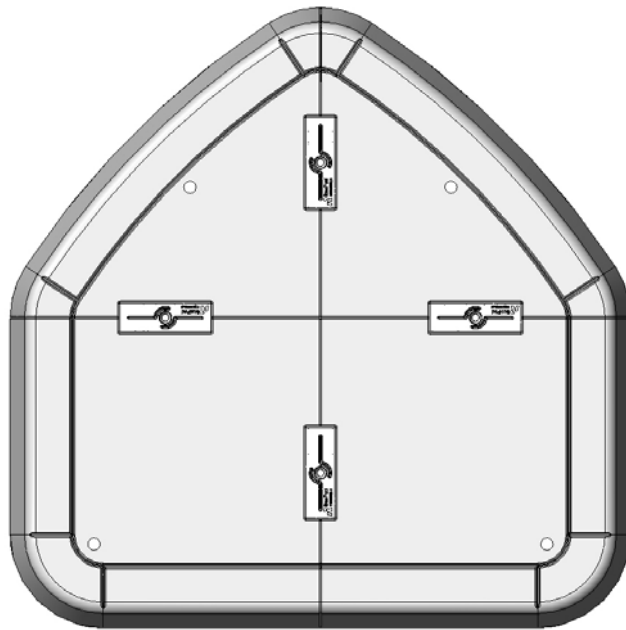
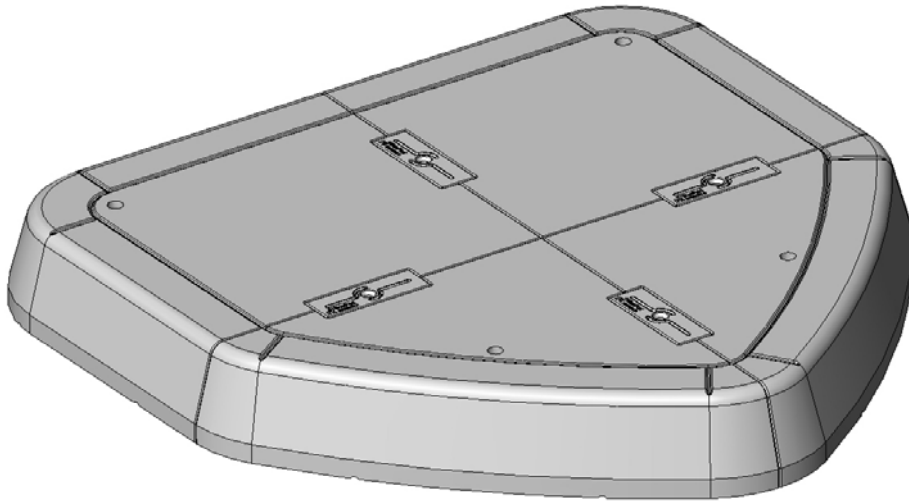


RediPave 1m x 1m Island



1.0m

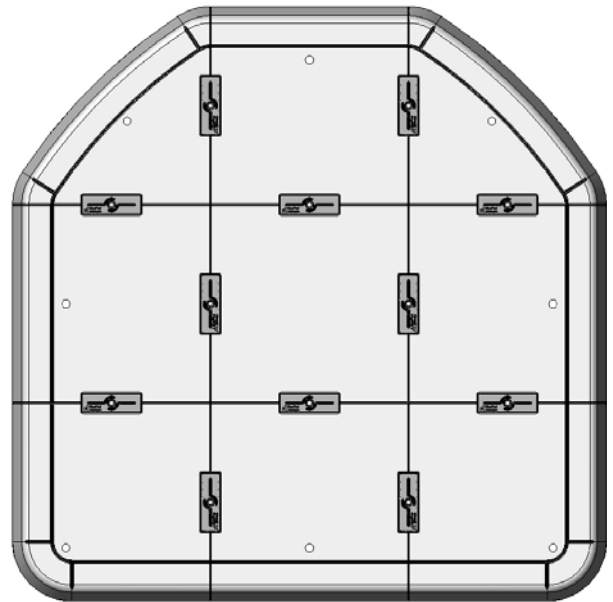
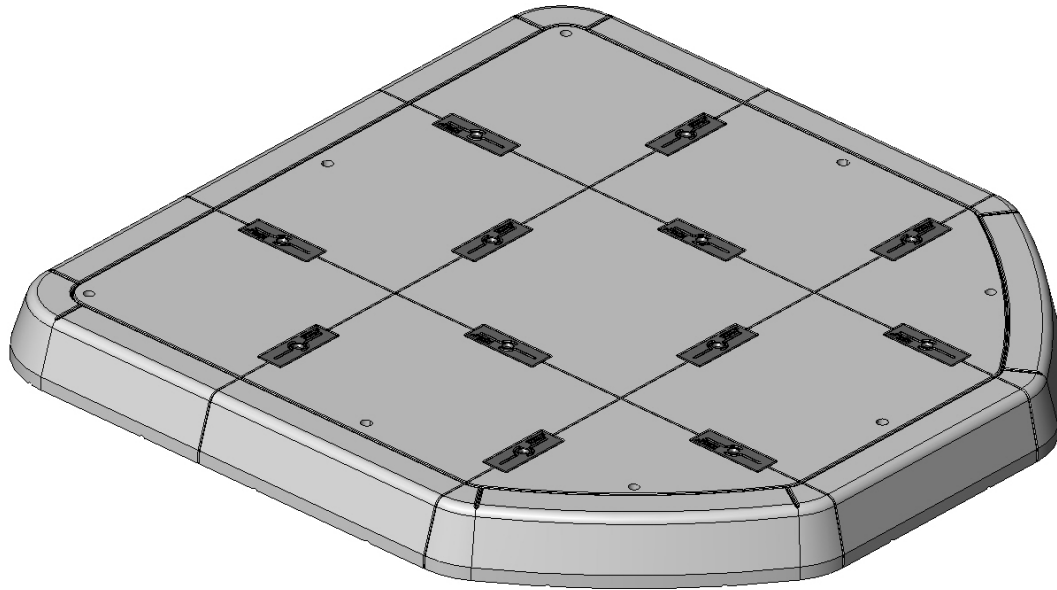
1.0m

1.0m x 1.0m RediPave Traffic Island Kit		
Component	Weight	Quantity
Corner Modules	21.9Kg	2
Radius Modules	14Kg	2
M10 x 120mm Coach Screws		8
Anchor Blocks		4
Rediplug		8
Total Weight	71.8Kg	



Rediweld Rubber and Plastics Ltd
 6/9 Newman Lane, Alton, Hampshire. GU34 2QR
 Telephone 01420 543007 Fax 01420 544090

RediPave 1.5m x 1.5m Island



1.5m

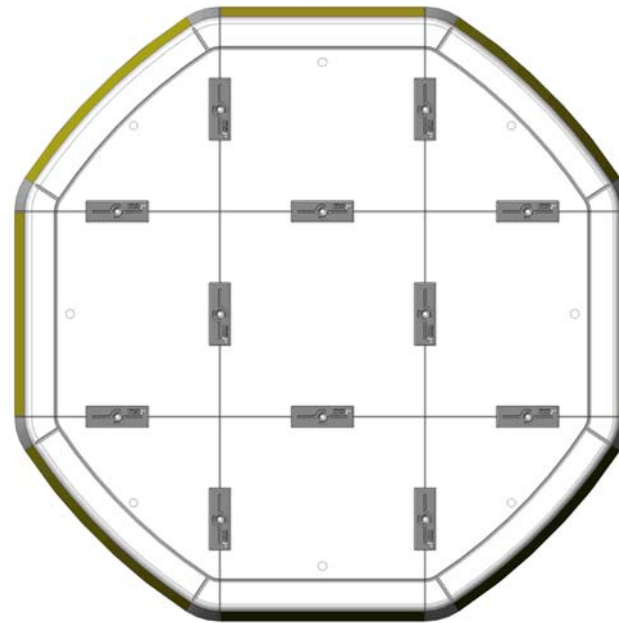
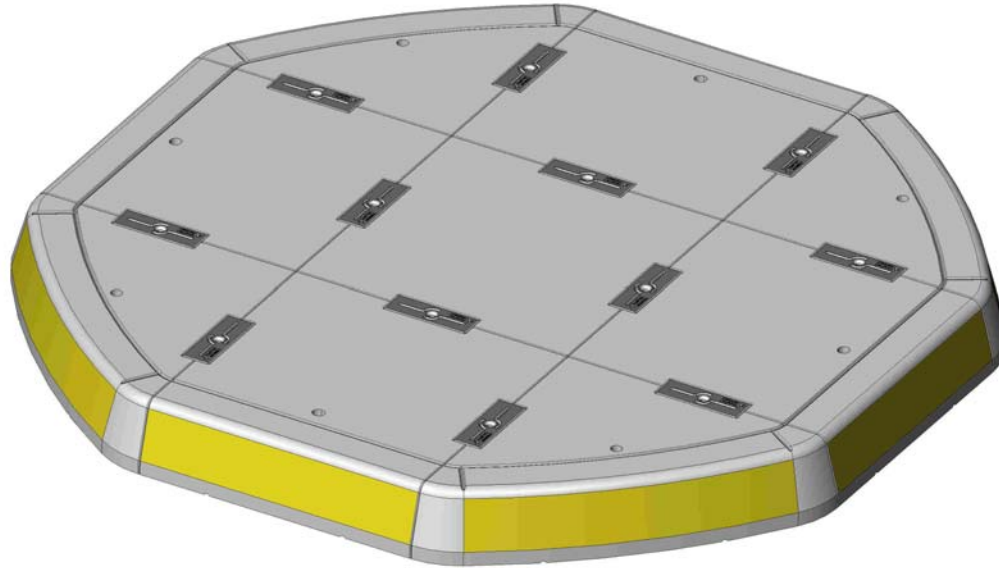
1.5m

1.5m x 1.5m RediPave Traffic Island Kit		
Component	Weight	Quantity
Corner Modules	21.9Kg	2
Radius Modules	14Kg	2
Center Module	21.5Kg	1
Edge Modules	21.7 Kg	4
M10 x 120mm Coach Screws		20
Anchor Blocks		12
Rediplug		20
Total Weight	180.1Kg	



Rediweld Rubber and Plastics Ltd
 6/9 Newman Lane, Alton, Hampshire. GU34 2QR
 Telephone 01420 543007 Fax 01420 544090

RediPave 1.5m x 1.5m Island



1.5m

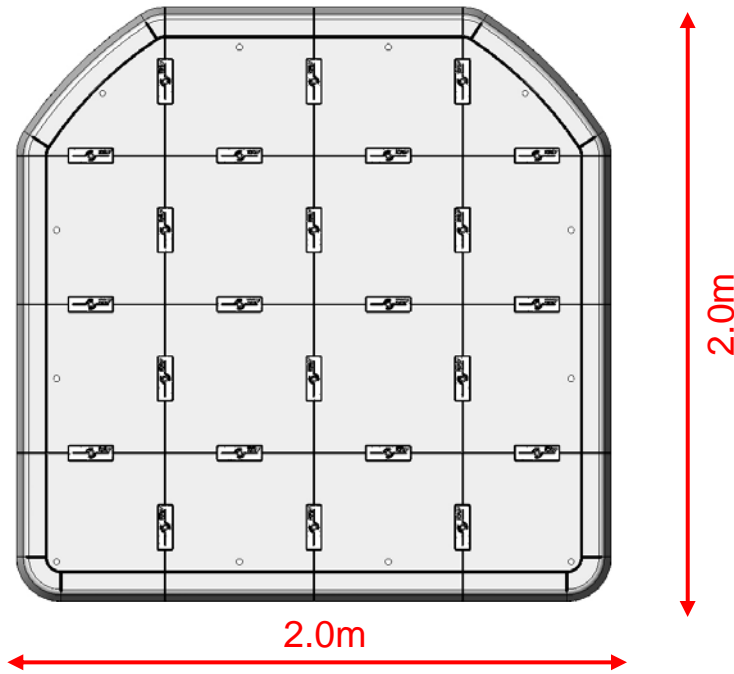
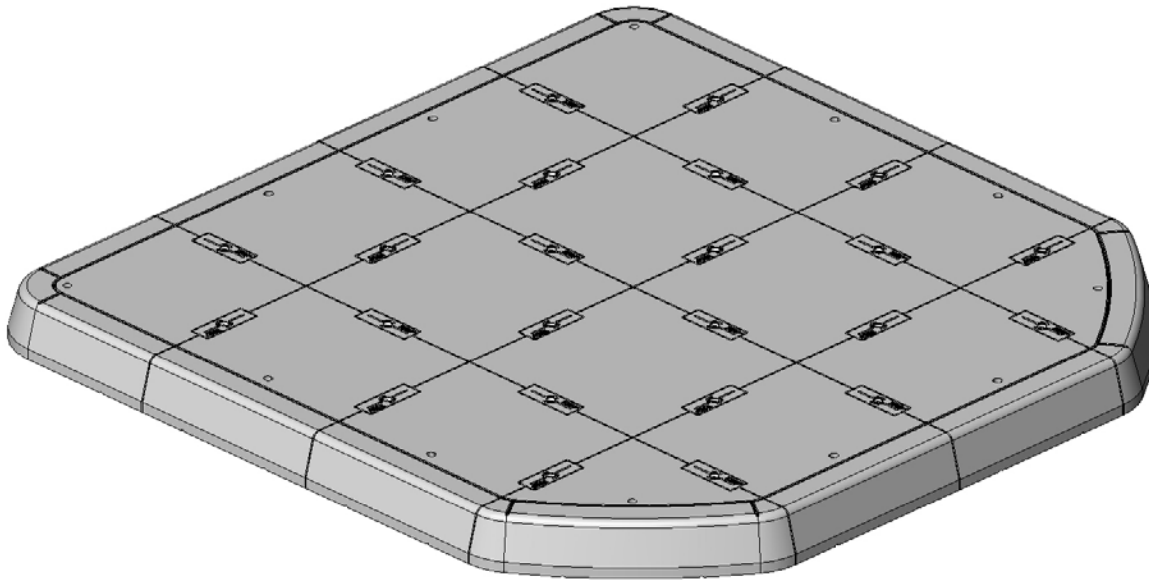
1.5m

1.5m x 1.5m RediPave Traffic Island Kit		
Component	Weight	Quantity
Radius Modules	14Kg	4
Center Module	21.5Kg	1
Edge Modules	21.7 Kg	4
M10 x 120mm Coach Screws		20
Anchor Blocks		12
Rediplug		20
Total Weight	164.3Kg	



Rediweld Rubber and Plastics Ltd
 6/9 Newman Lane, Alton, Hampshire. GU34 2QR
 Telephone 01420 543007 Fax 01420 544090

RediPave 2.0m x 2.0m Island



2.0m x 2.0m RediPave Traffic Island Kit		
Component	Weight	Quantity
Corner Modules	21.9Kg	2
Radius Modules	14Kg	2
Center Module	21.5Kg	4
Edge Modules	21.7 Kg	8
M10 x 120mm Coach Screws		36
Anchor Blocks		24
Rediplug		36
Total Weight	331.4Kg	



Rediweld Rubber and Plastics Ltd
 6/9 Newman Lane, Alton, Hampshire. GU34 2QR
 Telephone 01420 543007 Fax 01420 544090